

COMBI TOOL SPS 480 MK2 E-FORCE3

Part No.
1099153



E-FORCE3



CHARGE



FORGED



HANDLE



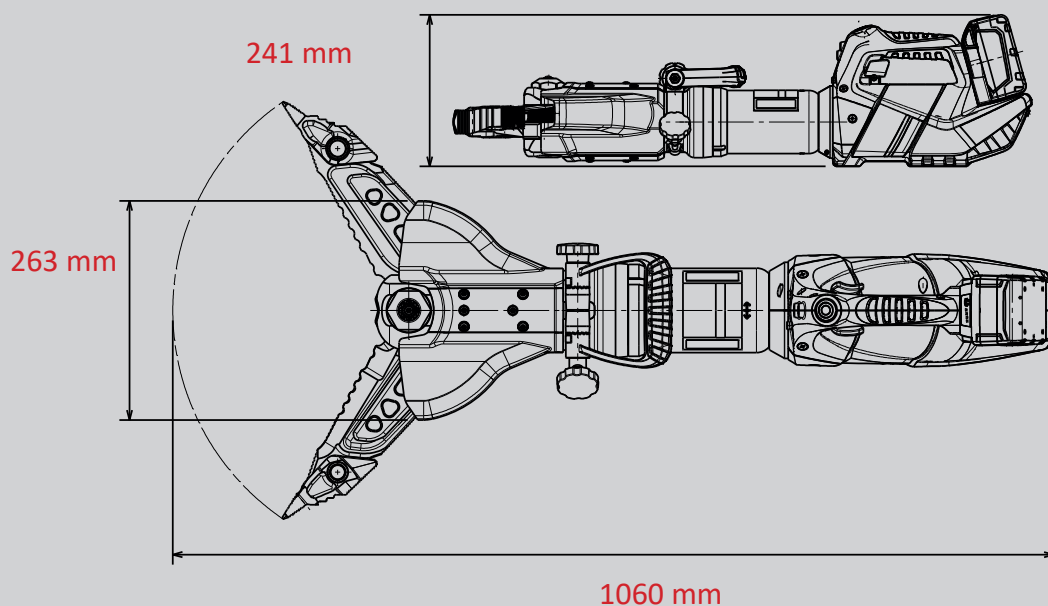
SPEED CONTROL



X-CHANGE

Technical data:

Spreading width	480 mm
Spreading force (in the working area)	45 - 1600 kN
Opening width	402 mm
Pulling width (with adapters)	520 mm
Max. pulling force	78 kN
Weight (ready to use)	24,9 kg
Dimensions (LxWxH)	1060 x 263 x 241 mm
EN cutting class (EN 13204)	1K-2K-3K-4K-5K
NFPA cutting class (NFPA 1936)	A8-B9-C9-D9-E9-F7



Images are non-binding. We reserve the right to technical modifications.
2022A 06/2022