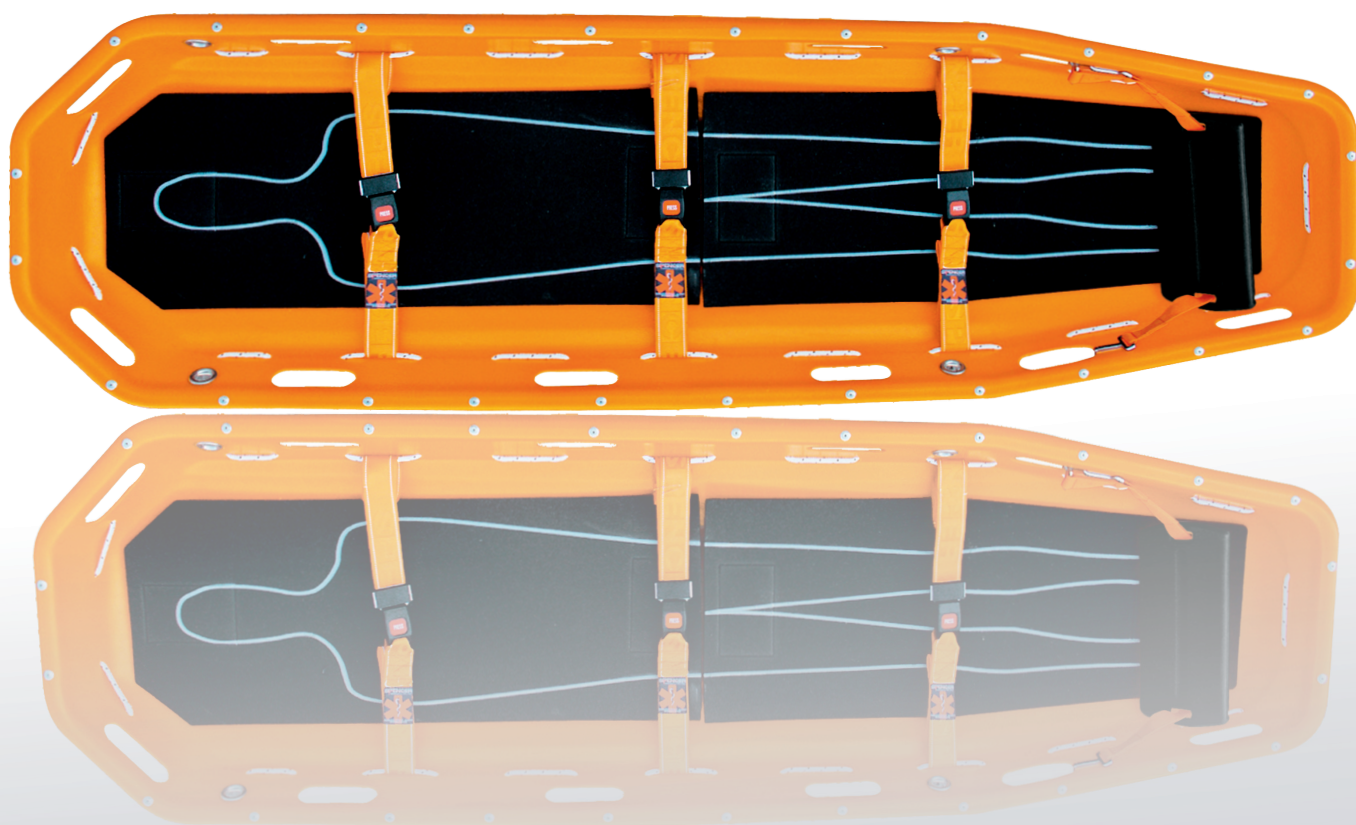


User's Manual

AG810 - Basket Stretcher



We hereby that the basket stretcher **AG810**
is conform with the MDD 93/42/EEC.

Index

General information
Warning
Device description

page **2**
page **2**
page **3**

Operating instructions
Maintenance

page **3-5**
page **5**

1 GENERAL INFORMATION

1.1 USE AND CONTENTS

This manual was written to give the Clients all the necessary information for using the device correctly and in the safest possible way. It contains Technical data, instructions for Use, Maintenance, information on spare parts and Safety guides.

1.2 PRESERVATION OF USER'S MANUAL

This User's Manual must be stored near the product, protected from anything, which could compromise its integrity and legibility.

1.3 SYMBOLS USED

SYMBOLS	MEANING	NOTES
	WARNING	See user's manual

1.4 REQUEST FOR SERVICE

For any information concerning use, installation and maintenance contact **CSG**.

The users must to read this manual carefully, paying special attention to safety precautions and operating instructions.

1.5 DEMOLITION

Follow laws in force.

2 WARNING

2.1 GENERAL WARNING

- The device must not be tampered with. **CSG** declines any responsibility for incorrect operation or damages to others caused by unauthorised alterations.
- Inspected the device regularly: perform the prescribed maintenance to keep it in good condition for safe operation and long life.
- Never alter or modify the device to fit the emergency vehicle.
Modification can cause unpredictable operation and possible patient or operator injury.
- If at any time the devices does not operate properly, take it out of service immediately, until adjustment, repair or replacement can be made.
- Make sure to protect yourself to avoid the danger deriving from contact with blood or body fluids.
- Use the device only as described in this manual.

2.2 SPECIFIC WARNING

- Follow the operations approved by the Emergency Medical Service for the locking and the transport of the patient because failure to immobilize correctly can cause serious damage to the patient.
- Do not use without the necessary training.
- Use of the stretcher requires two physically adapt operators.
- The patient must always be immobilised on the Shell stretcher.
- Do not operate if the weight is not evenly distributed.
- Do not leave patients unattended on the device.
- The device must not be exposed nor get in contact with thermal sources of combustion and flammable agents.
- Do not exceed the maximum loading weight (as indicated in the instruction Manual).

2.3 PHYSICAL REQUIREMENTS OF THE OPERATORS

AG810 Shells are exclusively meant for professional use. Rescuers who use it must have the following requirements :

- be physically capable of using the stretcher.
- be able to grasp the stretcher firmly with his/her hands.
- have sound muscular co-ordination.

2.4 MISUSE OF PRODUCT AND COLLATERAL EFFECTS

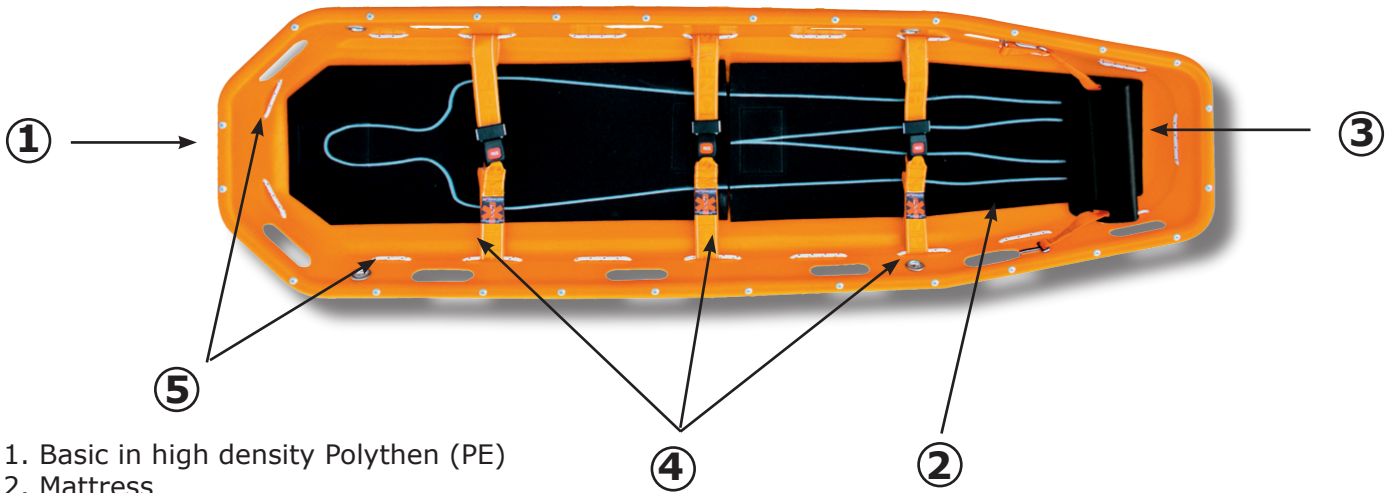
If use by trained personnel, who are aware of the standards of emergency rescue and first aid, this type of device does not present peculiar misuse of product or collateral effects.

3 DESCRIPTION OF THE DEVICE

3.1 INTENDED USE

The stretchers are meant for the recovery and transport of patients and can be used in any type of rescue operation to protect the patient from lateral collisions and where it is impossible to reach the casualty with ordinary means of transport. This device can be used for helicopter transport. The patient must not intervene on the device.

3.2 MAIN COMPONENTS



1. Basic in high density Polythen (PE)
2. Mattress
3. Feet Rest
4. 3 Immobilisation Straps
5. Perimetric Rope

3.3 TECHNICAL DATA

TECHNICAL DATA		TECHNICAL DATA	
Max. Length	2170 mm	Capacity	278 kg
Max. Width	620 mm	N° handles	12
Max. Height	185 mm	Stretcher flatbed	Polyethylene (PE)
Weight	13,5 kg		

3.4 ENVIRONMENTAL CONDITIONS

Both during use and stocking: from -20 °C bis +60 °C

4 OPERATIONS

4.1 TRANSPORT AND STOCKING

Before effecting transport of the device, make sure it is packed adequately and that the risk of bumping or falling of the parcel is minimised.

When stocking do not place heavy materials on top of the stretcher; the stretcher must never be considered as a resting table for any type of material. Keep the original packing carton for any future transportation of the device. Damages caused by transport and handling of the device are not covered by the warranty. Repairing or replacement of damaged parts is at the Customer's charge. The Shell must be stocked in a dry, humidity-free environment.

4.2 PREPARATION

When you receive the product:

- Take the materials out of the carton and display them in a visible and neat manner.
- Check the integrity of all parts.
- On opening the packing and before each use check the rivets of stretcher assembly.

- Install the belts to the perimeteral cords as shown in the figures.

Before using the stretcher, always check the following:

- Is the perimeter chord tight enough?
- Are the restraint belts for immobilisation of the patient in the box?
- Is the footrest in the box?

If everything is regular, the stretcher is ready to be used.

In any case, should the stretcher appear to be unfit for safe and correct functioning, it is necessary to **PUT IT OUT OF USE** until repairing or replacement of the damaged parts is carried out.

4.3 USE OF DEVICE

• Follow the operations approved by the Emergency Medical Service for the locking and the transport of the patient.

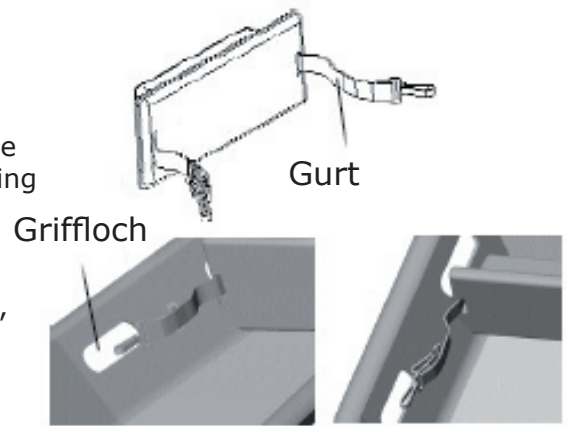
• Read the instructions carefully and practice with an empty stretcher before regular use.

Putting the patient in the stretcher.

- Place the stretcher as close as possible to the patient before transfer.
- Load the traumatised patient using the adequate immobilisation devices (spine board, vacuum mattress).

Fixing the footrest.

- Fix the footrest at the correct level so that the plane surface of the footrest is in contact with the patient's feet thus avoiding longitudinal movements, inserting the hocks at the ends of the belt, in corrspondence of the oval-shaped hole of the Shell (handle loop).
- Make sure that the footrest is correctly centred in the belts, so that it is at a right angle in relation to the stretcher. The flat surface of the footrest should be in contact with the patient's feet.



Purely indicative design

Lifting the stretcher with the patient.

- Secure the patient to the stretcher with 3 restraint belts provided.
- Check that the belts are not too tight.
- The operators must position themselves at either end of the stretcher (one at the foot-end and one at the head-end).
- Employ the correct lifting technique, to avoid strain, the operators must grasp the handles firmly at each end, then lift the stretcher.

Loading the stretcher onto an ambulance or other special vehicle

- Position the stretcher into the apposite space.

Unloading the stretcher from the ambulance.

- Free the stretcher from any fixation system.
- Grasp the stretcher from the handles and extract it from the vehicle.

Transportation on steep terrain.

- Position the footrest at the adequate level to avoid movement of the patient.
- If the patient has wounds in the lower body, immobilise the legs with adequate devices and secure the patient to the Shell.
- Secure the stretcher with a static safety system before lifting or lowering it.
- Always assist the patient whilst manoeuvring.

4.4 END OF USE

Once transportation of the patient is concluded, you must clean the stretcher by following the cleaning instructions described in the maintenance paragraph and subsequently put the stretcher away.

4.5 TROUBLESHOOTING CHART

PROBLEM	CAUSE	ACTION
Damages to the structure	improper use	Put the stretcher out of use immediately and contact the manufacturer
Damage to the perimetral rivets	improper use	Put the stretcher out of use immediately and contact the manufacturer

5 MAINTENANCE

5.1 CLEANING

Clean the external parts with a sponge and scap, use a mild detergent, dry with a soft doth or deer skin. The mattress can be cleaned with water and scap and disinfecting with an ordinary quaternary disinfectant.

Failure to carry out regular cleaning operations can result in risk of cross infection due to the presence of residues on the stretcher platform.

5.2 MAINTENANCE

Periodical and correct maintenance guarantees the durability of the stretcher. When first using the stretcher, establish a maintenance programme, which includes periodical checks and identifies a person in charge.

Checks to be effected before starting to use the stretcher

- Integrity and functioning of the stretcher.
- State of wear and tear (belts, mattress).
- Eventual unblocking of the perimetral rivets.

5.3 GENERAL OVERHAUL

The device does not require programmed overhauls or interventions.