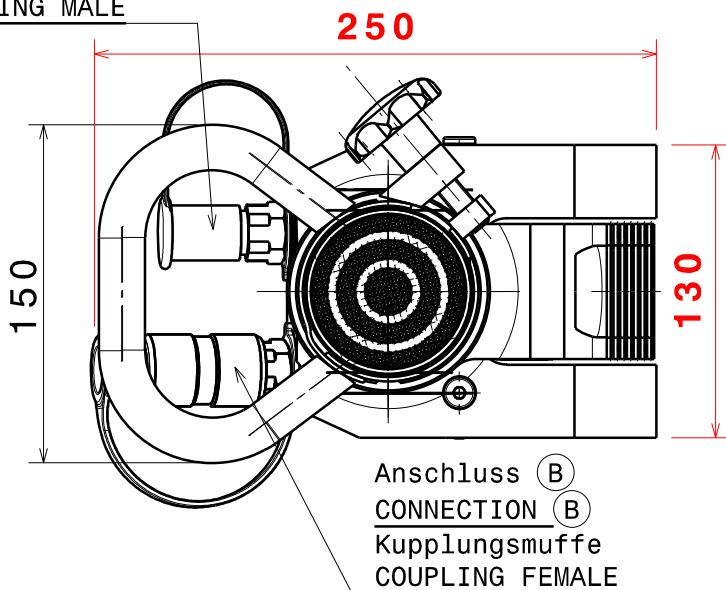
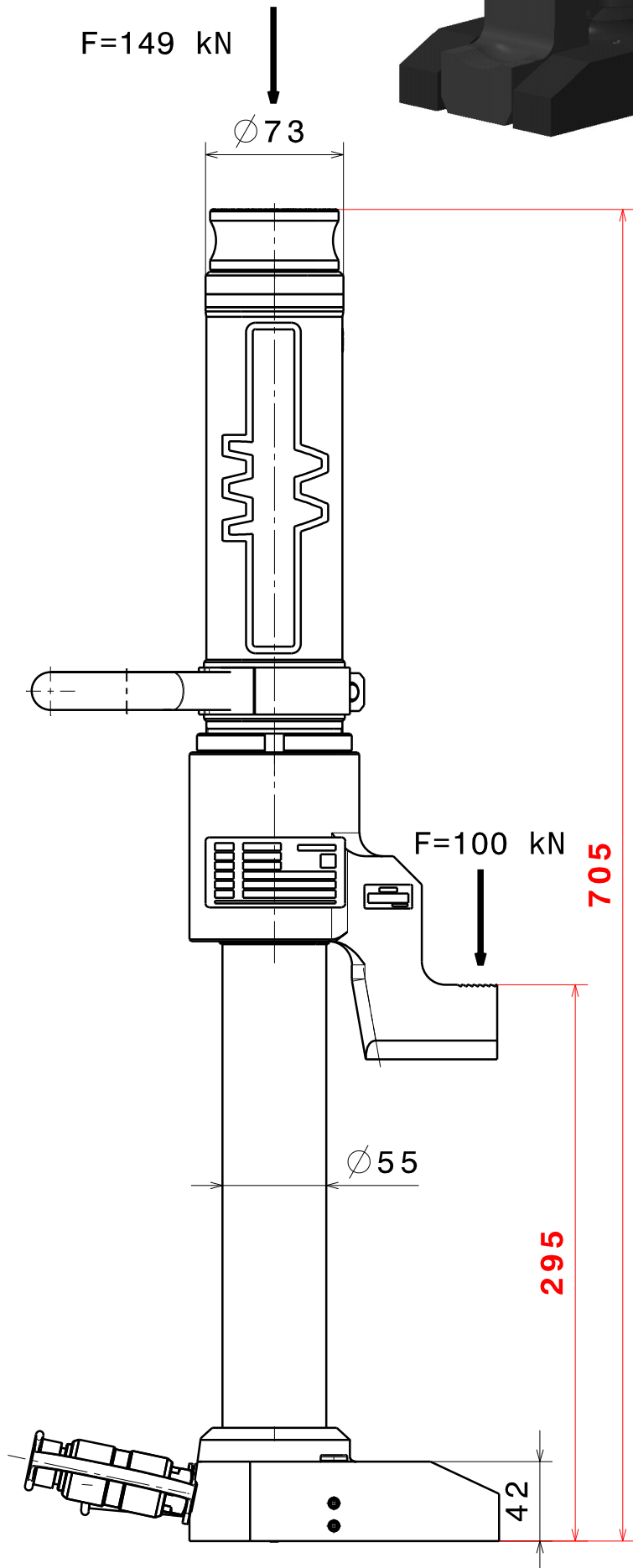
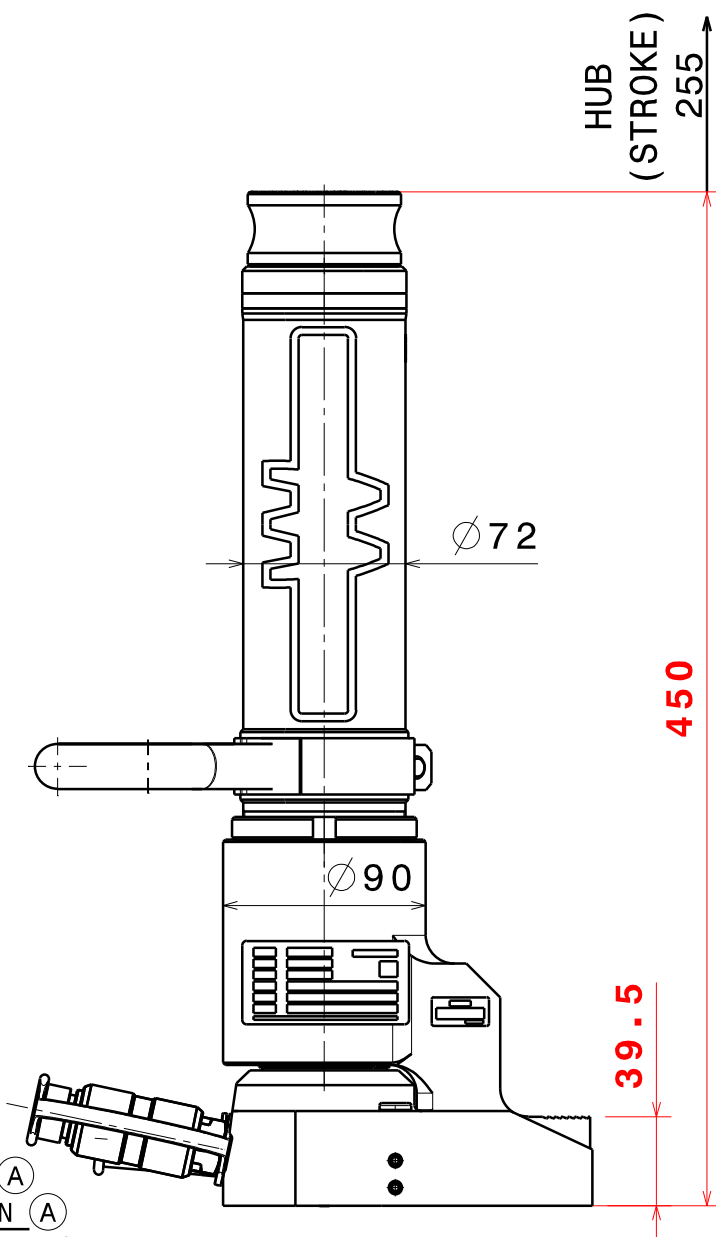
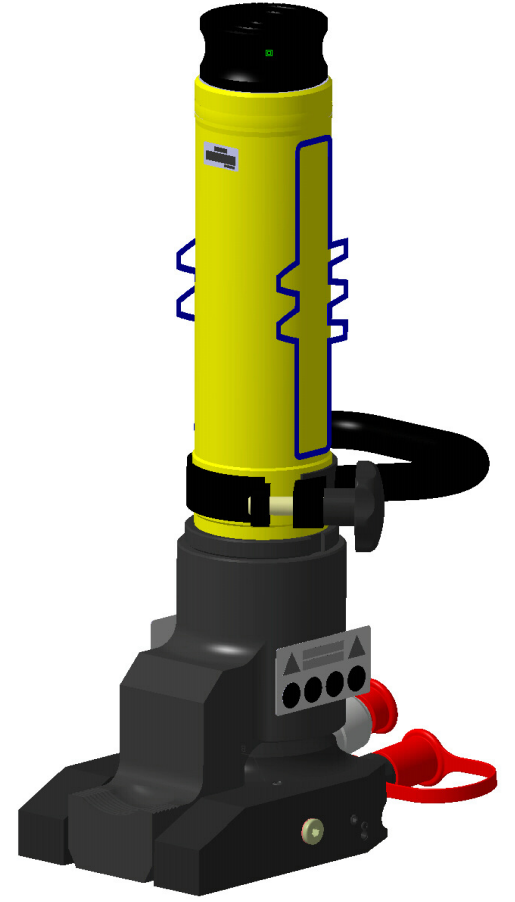


**TECHN. DATEN (TECHNICAL DATA):**

NENNDRUCK (NOMINAL PRESSURE) pN.....700 bar (70 MPa)  
 PRÜFDRUCK (TEST PRESSURE) pP.....840 bar (84 MPa)  
 MAX. DRUCKKRAFT (max. PUSHING FORCE)...149,0 kN  
 GEWICHT (WEIGHT).....20,9 kg  
 HUBVOLUMEN (PISTON DISPLACEMENT).....0,6 l



GES.: JSC

GEZ.: SIN

AEND.-NR.: 04055

DAT.: 10.01.05

AEND.DATUM: 10.01.05

FREIMASSTOLERANZEN (GENERAL TOLERANCES)	LAENGENMASS (LENGTH) mm	...50	50...250	250...1000	1000...	WINKELMASS (ANGLE)	...180°
	TOLERANZ (TOLERANCE) mm	±1,5	± 2,0	± 3,0	± 5,0	TOLERANZ (TOLERANCE)	±10°