

# Hypertherm® powermax45®

## Hand torch parts

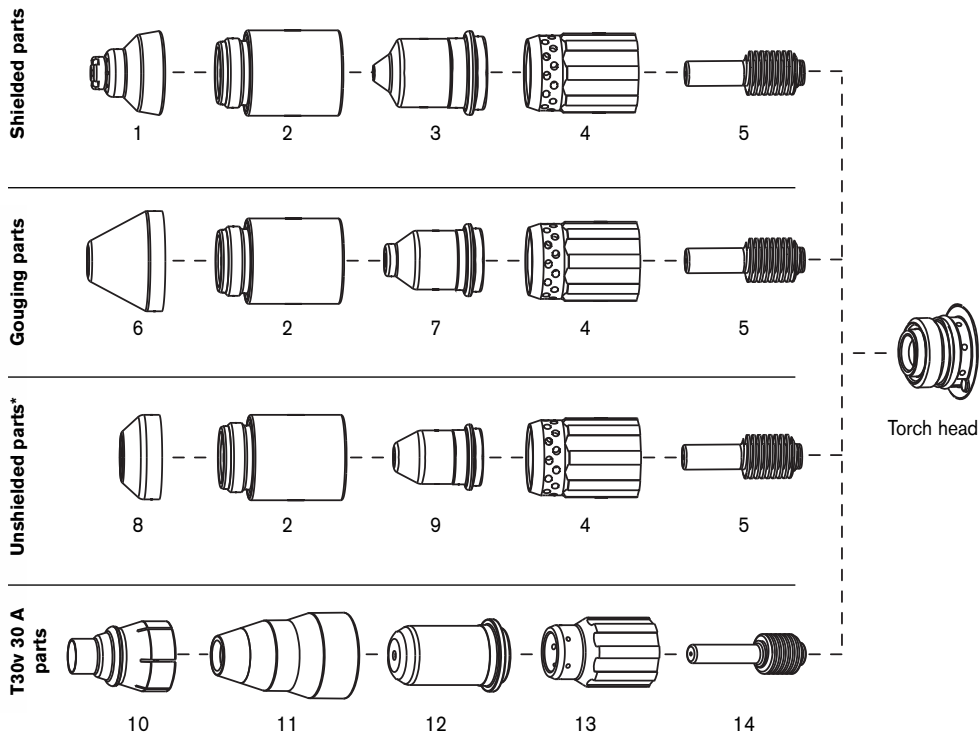
### T45v consumables



Powermax45



T45v torch



	ITEM NUMBER	PART NUMBER	DESCRIPTION	QUANTITY PER PACKAGE
Shielded parts	1	220674	Shield	1
	2	220713	Retaining cap	1
	3	220671	Nozzle	5
	4	220670	Swirl Ring	1
	5	220669	Electrode	5
Gouging parts	6	220675	Shield	1
	2	220713	Retaining cap	1
	7	220672	Nozzle	5
	4	220670	Swirl Ring	1
	5	220669	Electrode	5
Unshielded parts*	8	220717	Deflector	1
	2	220713	Retaining cap	1
	9	220718	Nozzle	5
	4	220670	Swirl Ring	1
	5	220669	Electrode	5
T30v 30 A parts	10	220569	Optional deflector	1
	11	220483	Retaining cap	1
	12	220480	Nozzle	5
	13	220479	Swirl Ring	1
	14	220478	Electrode	5

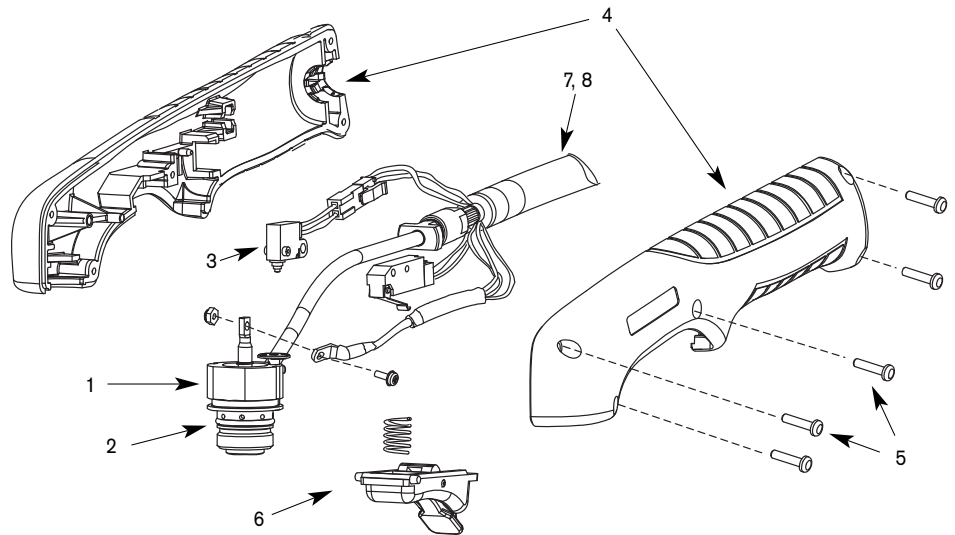
\*In countries following CE standards, unshielded consumables may only be used in mechanized torch applications.

Unshielded consumables: maintain torch-to-work distance of approximately .080" (2 mm).

## Genuine Hypertherm Consumables

The only way to ensure maximum performance

## Powermax45 T45v hand torch assembly



**T45v torch**

ITEM NUMBER	PART NUMBER	DESCRIPTION
	088008^	T45v hand torch assembly with 20 ft (6.1 m) lead
	088009^	T45v hand torch assembly with 50 ft (15.24 m) lead
1	228346	Kit: Torch body replacement
2	058503	O-ring: torch body
3	228109	Kit: Cap-sensor switch replacement
4	228313	Kit: Handle
5	075714	Screws, #4 x 1/2 SLTD Torx PAN, S/B
6	002294	Safety trigger and spring replacement
7	228315	Kit: Torch lead replacement, 20 ft (6.1 m)
8	228316	Kit: Torch lead replacement, 50 ft (15.24 m)

**^Assembly includes consumables**

# Hypertherm® powermax45®

## Machine torch parts

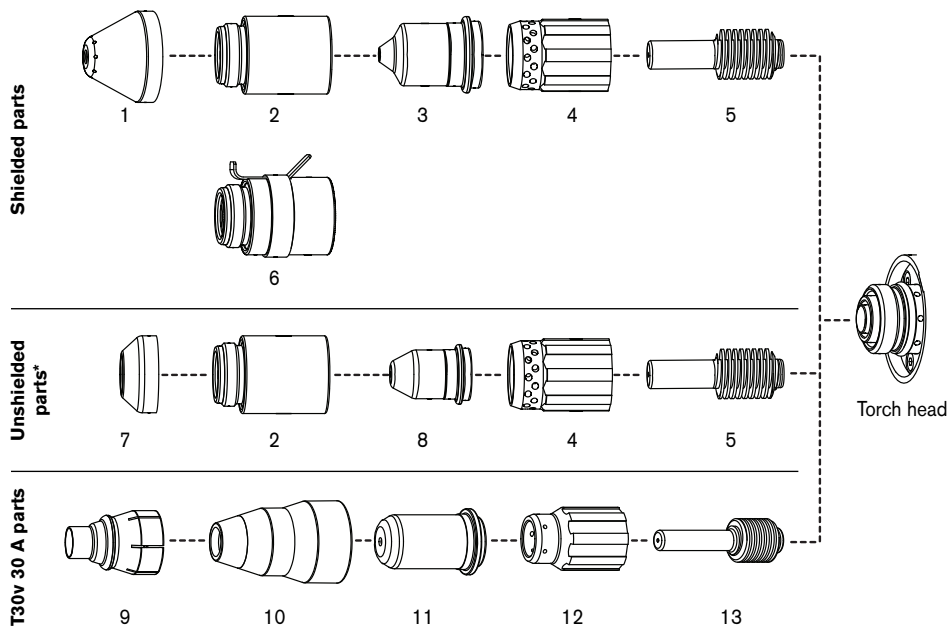
### T45m consumables



Powermax45



T45m torch



	ITEM NUMBER	PART NUMBER	DESCRIPTION	QUANTITY PER PACKAGE
Shielded parts	1	220673	Shield	1
	2	220713	Retaining cap	1
	3	220671	Nozzle	5
	4	220670	Swirl Ring	1
	5	220669	Electrode	5
	6	220719	Ohmic-sensing retaining cap	1
Unshielded parts*	7	220717	Deflector	1
	2	220713	Retaining cap	1
	8	220718	Unshielded nozzle	5
	4	220670	Swirl Ring	1
	5	220669	Electrode	5
T30v 30 A parts	9	220569	Optional deflector	1
	10	220483	Retaining cap	1
	11	220480	Nozzle	5
	12	220479	Swirl Ring	1
	13	220478	Electrode	5

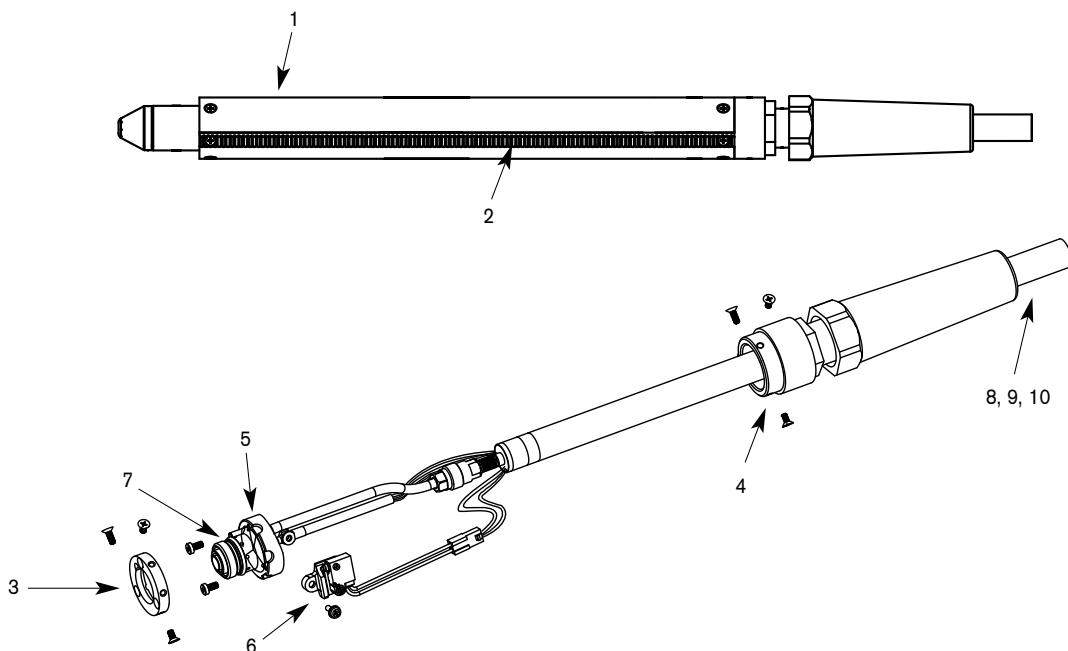
\*In countries following CE standards, unshielded consumables may only be used in mechanized torch applications.

Unshielded consumables: maintain torch-to-work distance of approximately .080" (2 mm).

## Genuine Hypertherm Consumables

The only way to ensure maximum performance

## Powermax45 T45m machine torch assembly



**T45m torch**

ITEM NUMBER	PART NUMBER	DESCRIPTION
	088010^	T45m machine torch assembly with 25 ft (7.6 m) lead
	088011^	T45m machine torch assembly with 35 ft (10.67 m) lead
	088012^	T45m machine torch assembly with 50 ft (15.24 m) lead
1	228228	Kit: T45m positioning sleeve
2	228229	Kit: T45m removable gear rack
3	228322	Kit: Front mounting ring
4	228323	Kit: Rear mounting ring
5	228320	Kit: T45m torch body replacement
6	228321	Kit: T45m cap-sensor switch replacement
7	058503	O-ring: torch body
8	228317	T45m torch lead replacement, 25 ft (7.6 m)
9	228318	T45m torch lead replacement, 35 ft (10.67 m)
10	228319	T45m torch lead replacement, 50 ft (15.24 m)

^Assembly includes consumables

Hypertherm and Powermax are trademarks of Hypertherm, Inc. and may be registered in the United States and/or other countries.

**Hypertherm**<sup>®</sup>

**Hypertherm, Inc.** USA 603-643-3441 Tel 603-643-5352 Fax [consumable.info@hypertherm.com](mailto:consumable.info@hypertherm.com)

**Hypertherm Automation** USA 603-298-7970 Tel 603-298-7977 Fax [info@hyperthermautomation.com](mailto:info@hyperthermautomation.com)

**Hypertherm Plasmatechnik GmbH** Deutschland 49 6181 58 2100 Tel 49 6181 58 2134 Fax

[HTDeutschland.info@hypertherm.com](mailto:HTDeutschland.info@hypertherm.com)

**Hypertherm (S) Pte Ltd.** Singapore 65 6841 2489 Tel 65 6841 2490 Fax

[HTSingapore.info@hypertherm.com](mailto:HTSingapore.info@hypertherm.com)

**Hypertherm (Shanghai) Trading Co., Ltd.** PR China 86-21 5258 3330 /1 Tel 86-21 5258 3332 Fax

[HTChina.info@hypertherm.com](mailto:HTChina.info@hypertherm.com)

**Hypertherm** Branch of Hypertherm UK, LLC England 00 800 3324 9737 Tel 00 800 4973 7329 Fax

[HTUK.info@hypertherm.com](mailto:HTUK.info@hypertherm.com)

**France (Representative office)** 00 800 3324 9737 Tél 00 800 4973 7329 Fax

[HTFrance.info@hypertherm.com](mailto:HTFrance.info@hypertherm.com)

**Hypertherm Europe B.V.** Nederland 31 165 596907 Tel 31 165 596901 Fax

[HTEurope.info@hypertherm.com](mailto:HTEurope.info@hypertherm.com)

**Hypertherm Japan Ltd.** 81 6 6170 2020 Tel 81 6 6170 2015 Fax [HTJapan.info@hypertherm.com](mailto:HTJapan.info@hypertherm.com)

**HYPERTHERM BRASIL LTDA.** 55 11 6409 2636 Tel 55 11 6408 0462 Fax [HTBrasil.info@hypertherm.com](mailto:HTBrasil.info@hypertherm.com)

**Mexico (Representative office)** 52 55 5681 8109 Tel 52 55 5683 2127 Fax [ventas@hypertherm.com.mx](mailto:ventas@hypertherm.com.mx)