

# **CONTENTS**

I.	INSTRUCTIONS.....	page 2
II.	CHARGING THE BATTERY OF THE PLU2.....	page 3
III.	GUIDELINES.....	page 4
IV.	TECHNICAL DETAILS PLU2, Cat. No. 15525 .....	page 5
V.	SPARE PARTS LIST	
1.	PLU2, Cat. No. 15525 .....	pag. 6
	• Drawing	
	• Spare Parts List	
2.	PLU2 Lamp, Cat. No. 15477 .....	pag. 8
	• Drawing	
	• Spare Parts List	

## **I. INSTRUCTIONS**



### **TO SWITCH ON :**

- Open the lamp
- Switch on the lamp, after 2 minutes warm-up the lamp reaches its complete light output.
- The lamp must burn minimum 2 minutes before switching off.

### **TO SWITCH OFF :**

- The lamp may be switched off after it has been burning for at least 2 minutes.

## **GUIDELINES**

**After switching on the lamp it has to stay switched on for at least 2 minutes !  
After switching off the lamp you may switch it on again after 2 minutes.  
Neglecting these guidelines results in reducing the life endurance of the lamp tube.  
When the voltage of the battery is too low, the lamp switches off automatically.  
Switch off the lamp and charge the battery of the PLU with the Teklite battery charger.**

## **II. CHARGING THE BATTERY OF THE PLU 2**

Charge the battery of the Teklite PLU 2 with the Charger Module 12/12 (Cat. No. 16331), the 24/12 (Cat. No. 16332) or 12/230V (Cat. No. 15683).

- Connect the charger module correctly to the 12V supply.
- Before connecting the plug of the battery charger on the PLU switch off the charge module and the battery charger.
- Connect the plug of the battery charger into the socket on top of the housing.
- Switch on the charger module, the red LED burns.

When the battery is fully charged the green LED burns.

- Before taking it into use, first switch off the battery charger and unplug the socket of the PLU.

The PLU 2 is equipped with a maintenance-free, rechargeable, lead-acid battery which is appropriate for constant charging and regular use. This battery is relatively simple in use and simple to charge. The life endurance of the battery depends on a correct charging. The Teklite battery chargers have been specifically designed for the built-in battery. They are protected against overcharging of the built-in battery and against deep discharge of the vehicle battery. For stand-by applications they automatically change to a floating trickle charge keeping the battery in perfect condition with no danger of overcharging.

The following points guarantee a long life endurance of the battery :

- Charge the battery within the following ambient temperatures : 0°C – 40°C
- When the PLU hasn't been used for a long time , it has to be connected regularly to the charging module and this for a maximum period of 3 months between 2 charges.
- Charge the battery always fully (green LED)
- It is not necessary to discharge the battery completely before recharging.

### **GUIDELINES**

If after switching on the battery charger the red LED doesn't burn, even if the voltage of the charger module is connected and the plug of the battery charger of the PLU is connected, the fuse may be damaged. Disconnect the charger of the feeder, unscrew the fuse cap and change the fuse.

#### **ATTENTION**

Change the fuse only after having checked the cause and having repaired it. Replace the fuse only by the same type and the same value and it may not be overbridged in any other way.

### **III. GUIDELINES**

In exceptional cases, when there is no Teklite battery charger available, the PLU battery may be charged with a conventional battery charger, if the following points are respected :

- The used battery charger must have the possibility to limit the charging current, namely with an adjustable charging current (Ampère).
- The battery charger must be appropriate to charge 12V batteries.
- For the connection, you have to use the Teklite LV10 plug (Cat. No. 15465)

#### **Working Method**

- Switch off the battery charger and connect the plug on the PLU battery.
- Connect the red cable of the charger on the positive and the black cable on the negative ground.
- The maximum permitted charging current may not exceed 2,3 A.
- After 5 hours charging switch off the battery charger and disconnect from the PLU.

#### **ATTENTION**

A too high charging current, namely higher than the maximum permitted 2,3 A or not respecting the maximum charging current time of 5 hours when conventional battery chargers are used, can lead to the explosion of the battery.

#### **GUIDELINE**

When using another battery charger than the recommended Teklite battery charger, the Teklite charger module 12/12V(Cat. No. 16331), 24/12V(Cat. No. 16332 ) or 12/230V (Cat. No. 15683), the guarantee of the PLU falls away.

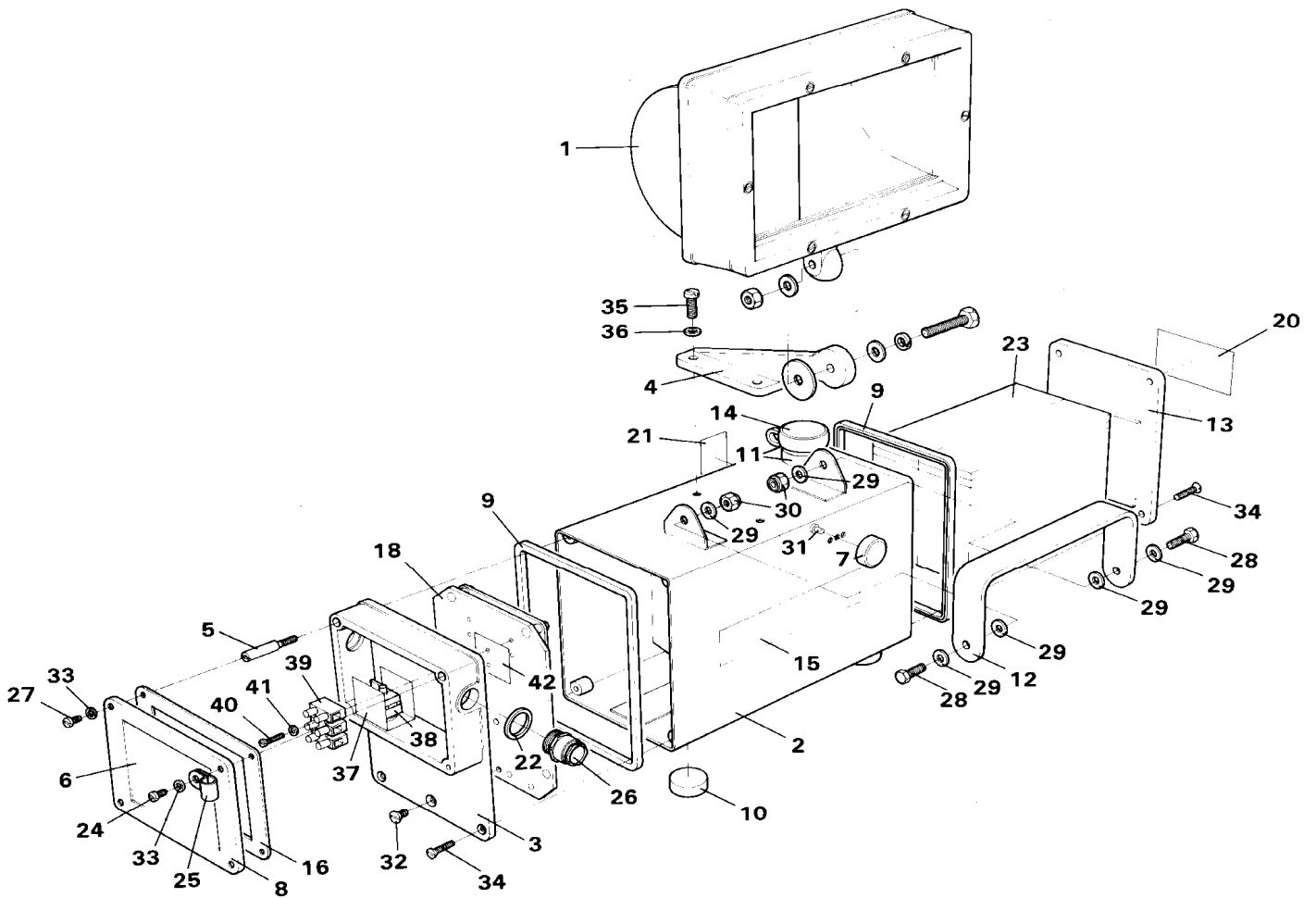
#### **IV. TECHNICAL DETAILS PLU 2, Cat. No. 15525**

Lamp	High Pressure Sodium 70W (IP55)
Light Output	6500 lumens after 2 minutes warm-up
Battery Endurance	2 x 6V/12 Ah maintenance-free ca. 1h 15 min. (fully charged)
Recommended charging current	2A 14,5V 5h
Life endurance battery	250 to 500 cycles

#### **Construction :**

Dimensions	280 x 220 x 200 mm
Weight	8,75 kg
Battery housing	Steel (IP54)
Lamp housing	Aluminium (IP55)
Lamp glass	Heat resistant and hardened glass
Finish	Red RAL 3000 & Yellow RAL 1007

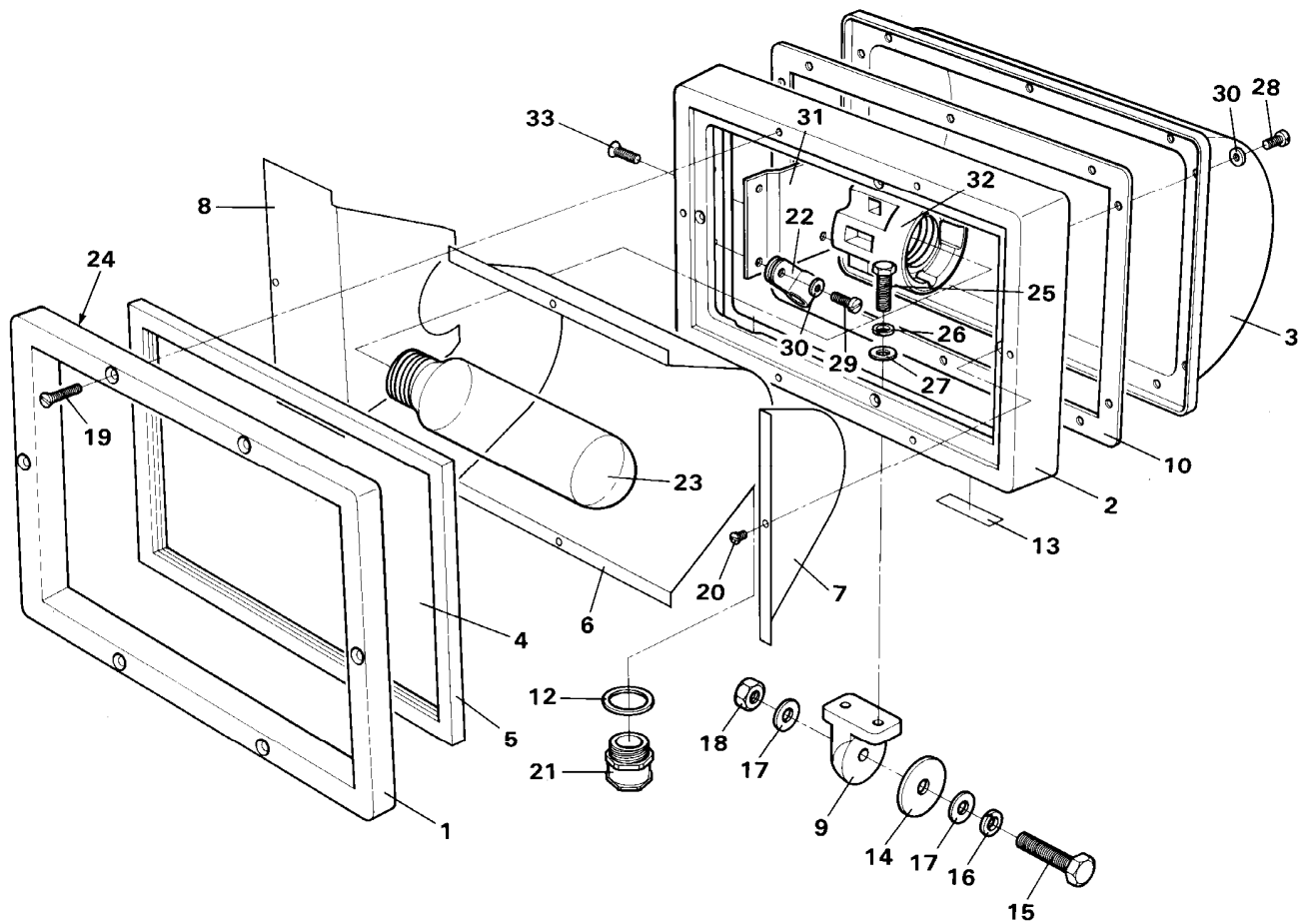
## V. SPARE PARTS LIST



**1. PLU 2 - Cat. No. 15525**

<b>ITEM</b>	<b>PART N°</b>	<b>DESCRIPTION</b>	<b>QTY</b>
1	15477	Lamp Assembly 7K	1
2	15521	Case	1
3	15519	Control Panel	1
4	15528	Lamp Bracket	1
5	15517	Pillar Screw	2
6	15993	Label PLU 2	1
7	15527	Vent Cap	1
8	15202	Lid	1
9	15546	Control Panel Seal	2
10	16810	Rubber Cap	4
11	15464	Panel Connector Assembly	1
12	15529	Handle	1
13	16313	Cover	1
14	15446	Socket Protector Cap	1
15	15292	Teklite Name Label	2
16	15463	Lid Seal	1
17	17393	Label for battery recharge	1
18	16988	Electronic Assy ( + Cables = 15894 )	1
19	15523	Battery Rubber Set	1
20	11334	Teklite Name Label	1
21	15506	Charger Label	1
22	15717	Cable Gland Washer PG11	1
23	B11905	Battery 6V/12 Ah	2
24	B11741	M4 x 10 Cheese Head Screw	1
25	B2580	P-Clip	1
26	B11618	PG11 Gland	1
27	B5796	M4 x 8 Cheese Head Screw	3
28	B5577	M6 x 20 Hexagon Head Screw	2
29	B5773	ø6 Washer	6
30	B5905	M6 Stiff Nut	2
31	B12038	M4 x 5 Cheese Head Screw	1
32	B9187	M5 x 10 Countersunk Head Screw	2
33	B5600	ø4 Washer	4
34	B11700	M4 x 20 Countersunk Head Screw	6
35	B5777	M6 x 16 Cheese Head Screw	2
36	B5582	ø6 Spring Washer	2
37	15898	Switch Insulater	1
38	B11833	Toggle Switch	1
39	B12087	Terminal Strip (3 – way)	1
40	B11625	M3 x 16 Cheese Hd Screw	2
41	B8222	M3 Washer	2
42	15215	Connection Reference Card	1

**2. PLU2 7K LAMP ASSEMBLY – Cat N° 15477**





## 2. PLU 2 LAMP - Cat. No. 15477

ITEM	PART N°	DESCRIPTION	QTY
1	15493	Glass Frame	1
2	15494	Lamp Chassis	1
3	15190	Lamp Cap	1
4	15507	Lamp Glass	1
5	15495	Glass Rubber Seal	1
6	15500	Main Reflector	1
7	15498	RH Side Reflector	1
8	15499	LH Side Reflector	1
9	15504	Mounting Bracket	1
10	15188	Lamp Cap Gasket	1
11	B11656	Lamp Cable	1
12	15717	PG 11 Cable Gland Washer	1
13	15413	Teklite Serial No. Label	1
14	15518	Clamp Washer	1
15	B9482	M8 x 40 Hexagon Head Screw	1
16	B5783	ø8 Spring Washer	1
17	B5581	ø8 Washer	2
18	B5579	M8 Hexagon Nut	1
19	B11700	M4 x 20 Countersunk Head	6
20	B6965	M3 x 6 Countersunk Head Screw	4
21	B11618	PG 11 Cable Gland	1
22	B2580	P-Clip	1
23	B11746	70 Watt HPS Lamp	1
24	B11935	Foam Strip 6 x 5 71 cm	1
25	B5577	M6 x 20 Hexagon Head Screw	2
26	B5582	ø6 Spring Washer	2
27	B5773	ø6 Washer	2
28	B11741	M4 x 10 Cheese Head Screw	10
29	B5599	M4 x 12 Cheese Head Screw	2
30	B11743	ø4 Washer	12
31	15984	Lamp Bracket Assembly	1
32	B11747	E27 Lamp Holder	1
33	B11760	M4 x 16 Csk Hd Screw	2
34	B5583	M4 Spring Washer	2
35	B5580	M4 Hex Nut	2